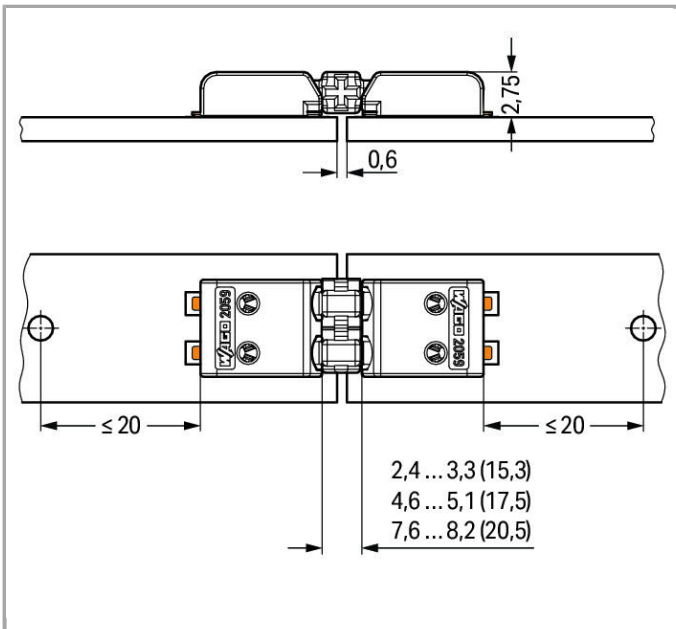
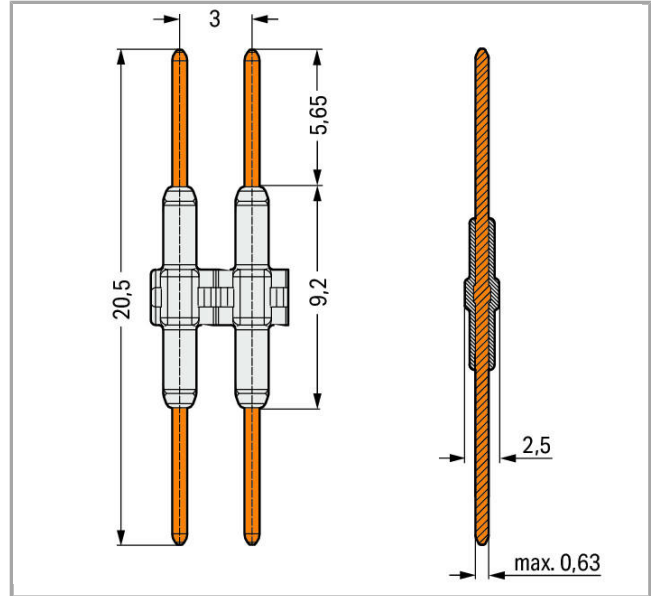
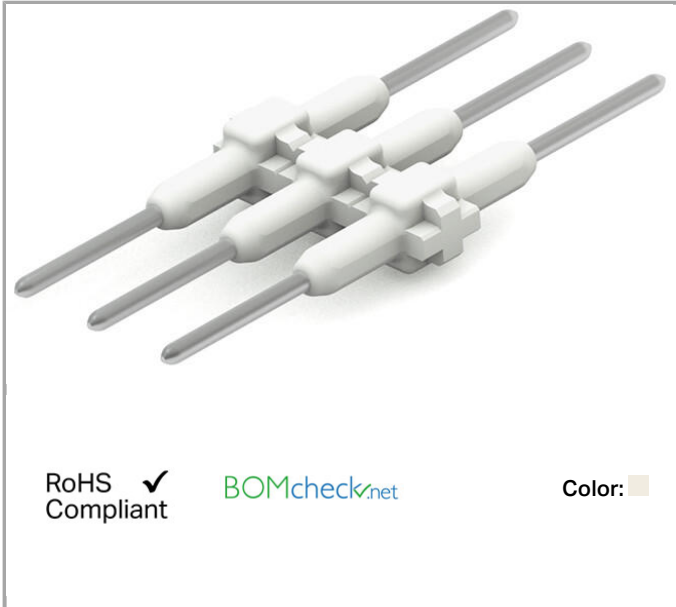


Data sheet | Item number: 2059-903/021-000

Board-to-Board Link; Pin spacing 3 mm; 3-pole; Length: 20.5 mm



2059-903/021-000



Item description

- Board-to-board links simplify LED module assembly
- Easy push-in connection and disconnection

Data

Electrical data

Ratings per IEC/EN 60664-1

Rated voltage (III / 3)	63 V
Rated impulse voltage (III / 3)	2.5 kV
Rated voltage (III / 2)	160 V
Rated impulse voltage (III / 2)	2.5 kV
Rated voltage (II / 2)	320 V
Rated impulse voltage (II / 2)	2.5 kV
Rated current	3 A

Connection data

No. of poles	3
Total number of potentials	3
Number of connection types	1

Geometrical Data

Pin spacing	3 mm / 0.118 inch
Width	8.7 mm / 0.343 inch
Height	2.5 mm / 0.098 inch
Depth	20.5 mm / 0.807 inch

Mechanical data

Mating cycles	10
Number of mating cycles	max. 10 mating cycles

Material Data

Color	white
Material group	I
Insulating material	Polyamide 66 (PA 66)
Flammability class per UL94	V0
Contact material	Copper alloy
Contact plating	silver-plated
Fire load	0 MJ
Weight	0.25 g

Environmental Requirements





Limit temperature range -60 ... +105 °C

Commercial data


Country of origin	CN
GTIN	4055143610001
Customs Tariff No.	85369010000

Approvals / Certificates

Country specific Approvals

Logo	Approval	Additional Approval Text	Certificate name
	CCA DEKRA Certification B.V.	EN 60947-7-4	NTR NL-7680
	CCA DEKRA Certification B.V.	EN 60838	NTR NL-7720
	KEMA/KEUR DEKRA Certification B.V.	EN 60947-7-4	71-103560
	KEMA/KEUR DEKRA Certification B.V.	EN 60838	71-106226

UL-Approvals

Logo	Approval	Additional Approval Text	Certificate name
	UL Underwriters Laboratories Inc.	UL 1977	E45171

Downloads

Documentation

Additional Information

pdf
3.6 MB [Download](#)



CAD/CAE - Smart Data

CAD data

3D Download 2059-903/021-000

URL

Download

Subject to changes.
